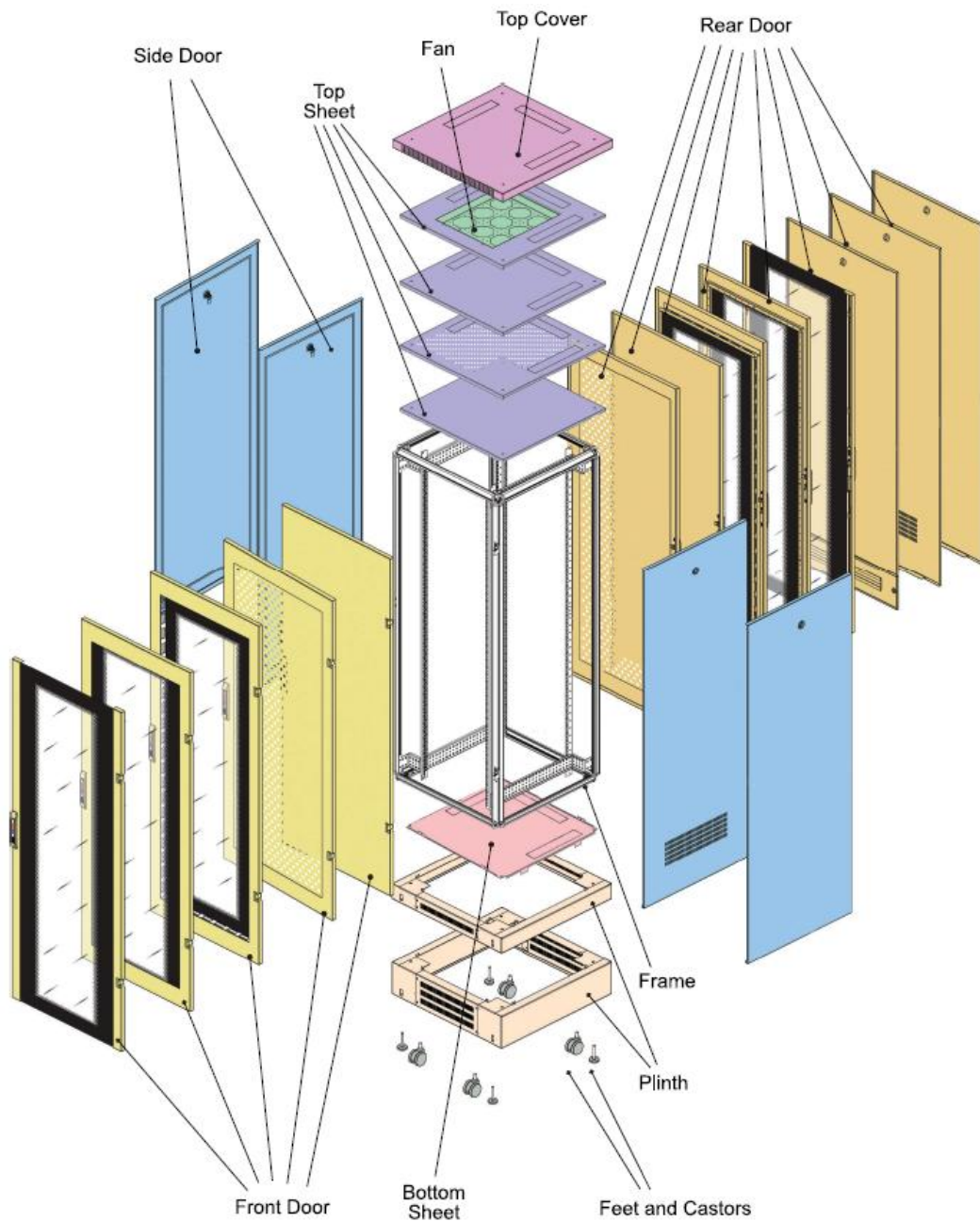


## Netzwerk- und Serverschrank



## Overview



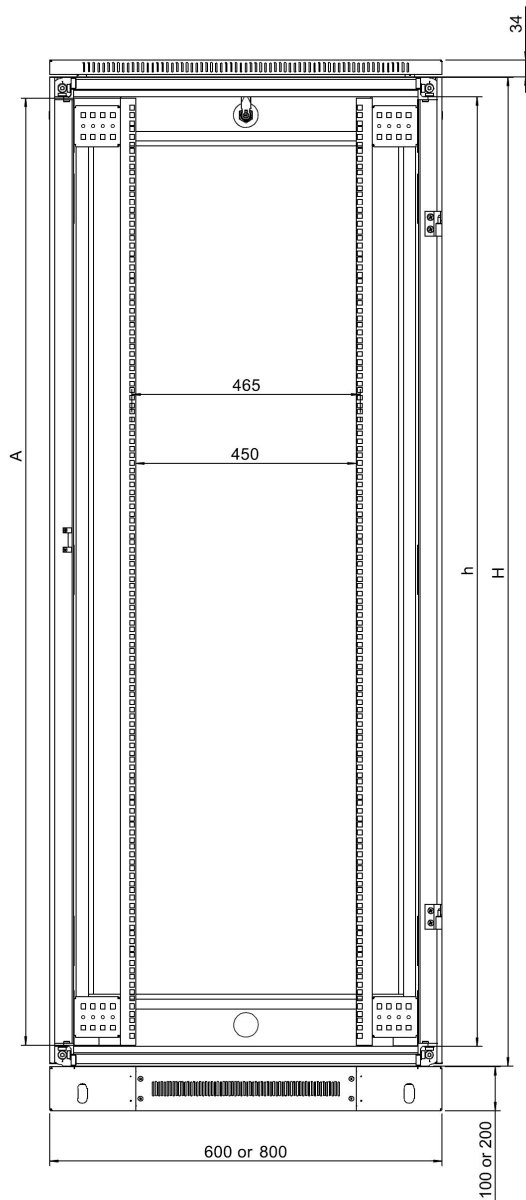
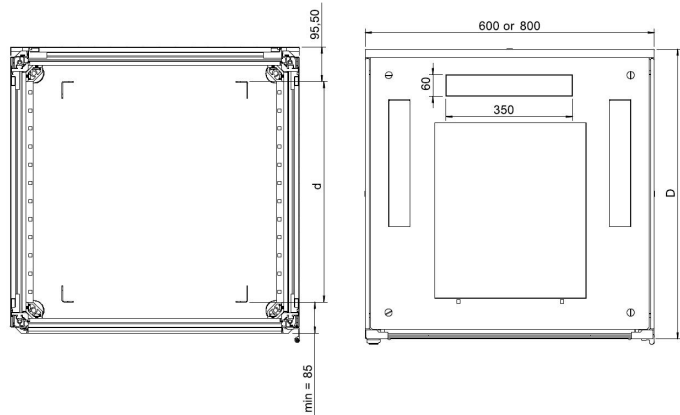
## Color:

- RAL 7035 light grey
- RAL 5012 light blue
- RAL 5022 night blue
- RAL 6004 green-blue
- RAL 7015 slate grey
- RAL 7032 pebble grey
- RAL 9002 white grey
- RAL 9005 deep black
- RAL 9007 grey aluminum

## Technical specifications

### Dimensions

Height: 16 to 51 HE  
 Width: 600 and 800 mm  
 Depth: 600, 800 and 1000 mm



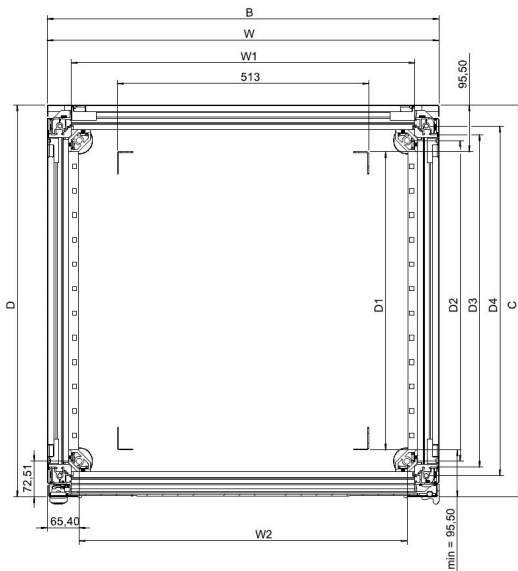
### Important Note:

- Readily available for immediate delivery
- Please contact marketing

A/U	H (mm)	h (mm)	D=600 mm d (mm)	D=800 mm d (mm)	D=1000 mm d (mm)
16	822	742	409	609	809
17	866	786	409	609	809
18	911	831	409	609	809
19	955	875	409	609	809
20	1000	920	409	609	809
21	1044	964	409	609	809
22	1089	1009	409	609	809
23	1133	1053	409	609	809
24	1178	1098	409	609	809
25	1222	1142	409	609	809
26	1266	1186	409	609	809
27	1311	1231	409	609	809
28	1355	1275	409	609	809
29	1400	1320	409	609	809
30	1444	1364	409	609	809
31	1489	1409	409	609	809
32	1533	1453	409	609	809
33	1578	1498	409	609	809
34	1622	1542	409	609	809
35	1667	1587	409	609	809
36	1711	1631	409	609	809
37	1755	1675	409	609	809
38	1800	1720	409	609	809
39	1844	1764	409	609	809
40	1889	1809	409	609	809
41	1933	1853	409	609	809
42	1978	1898	409	609	809
43	2022	1942	409	609	809
44	2067	1987	409	609	809
45	2111	2031	409	609	809
46	2155	2075	409	609	809
47	2200	2120	409	609	809
48	2244	2164	409	609	809
49	2289	2209	409	609	809
50	2333	2253	409	609	809
51	2378	2298	409	609	809

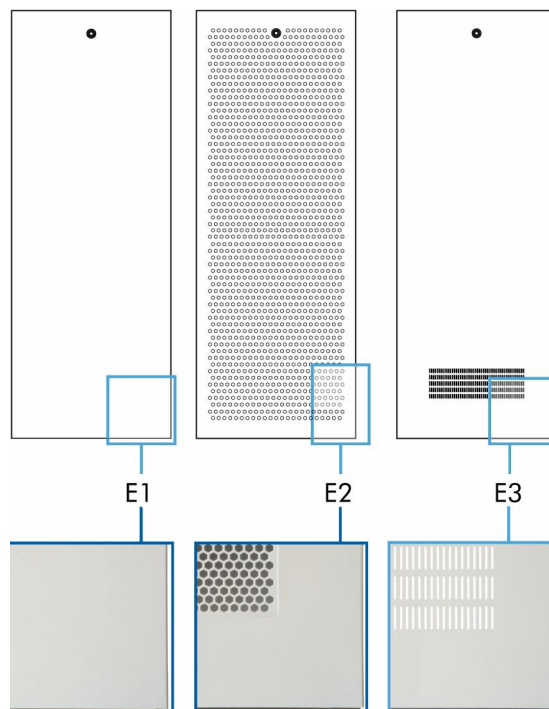
W=600 mm				
W <sub>1</sub> =507 mm		W <sub>2</sub> =467 mm		
D (mm)	D <sub>1</sub> (mm)	D <sub>2</sub> (mm)	D <sub>3</sub> (mm)	D <sub>4</sub> (mm)
600	409	455	479	514
800	609	655	679	714
1000	809	855	879	914

W=800 mm				
W1=707 mm		W2=667 mm		
D (mm)	D <sub>1</sub> (mm)	D <sub>2</sub> (mm)	D <sub>3</sub> (mm)	D <sub>4</sub> (mm)
600	409	479	479	514
800	609	655	679	714
1000	809	855	879	914



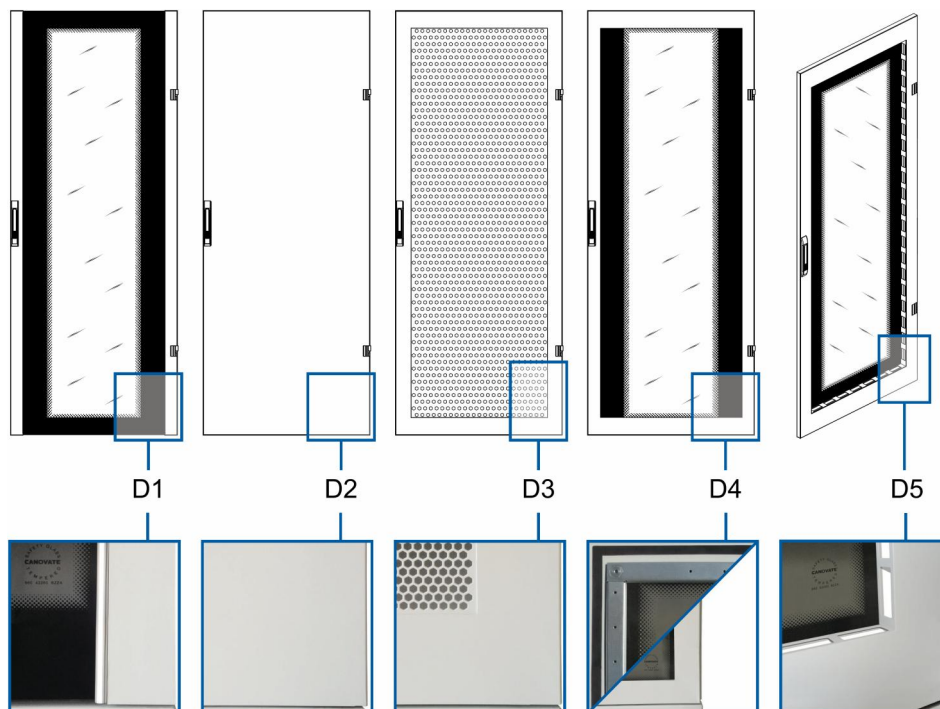
## E: Side Panel

E 0	No Side Door	
E 1	Plain / Solid (Standard)	<ul style="list-style-type: none"> <li>Single-point central lock by Emka</li> <li>1,5mm steel</li> <li>Easy-to-remove spring loaded design</li> </ul>
E 2	Fully Perforated	<ul style="list-style-type: none"> <li>Honeycomb perforated pattern providing 53% air exchange</li> <li>Single-point central lock by Emka</li> <li>1,5mm steel</li> <li>Easy-to-remove spring loaded design</li> </ul>
E 3	Ventilated	<ul style="list-style-type: none"> <li>Ventilated from bottom section (filter: optional)</li> <li>Single-point central lock by Emka</li> <li>1,5mm steel</li> <li>Easy-to-remove spring loaded design</li> </ul>



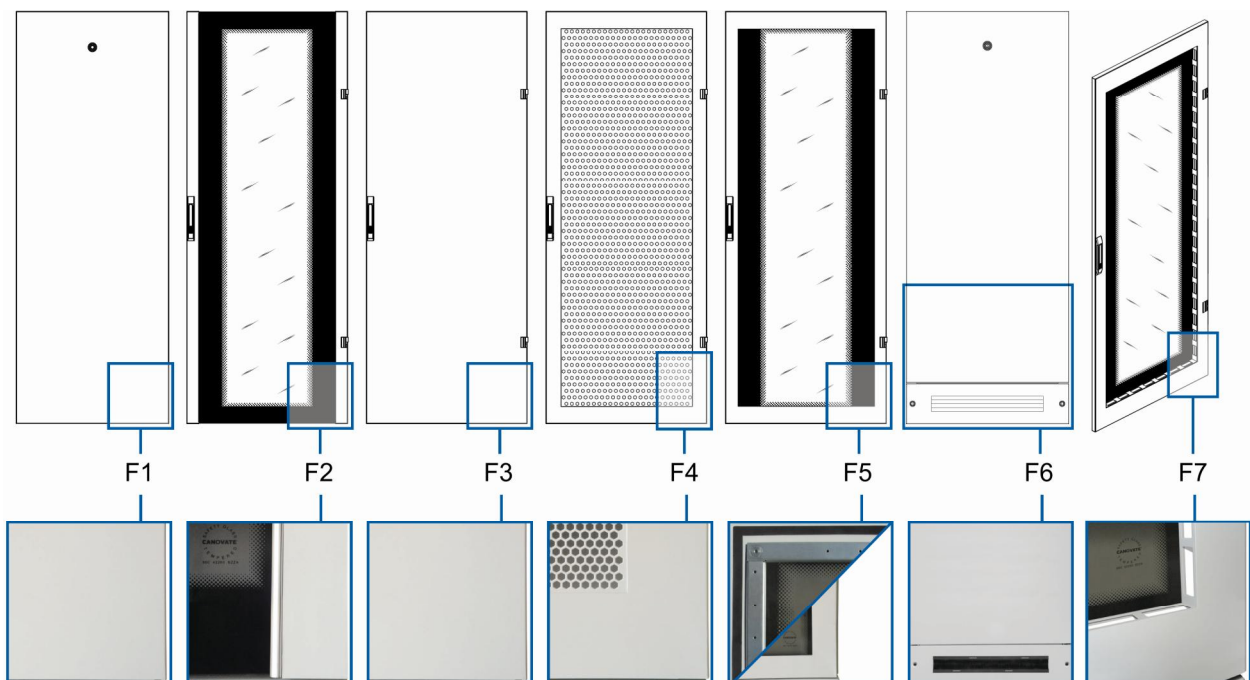
## D: Front Door

D 0	No Front Door	
D 1	Safety Glass Mounted Door on 2 Vertical Members (Standard)	<ul style="list-style-type: none"> <li>● Single-point lock with swing-handle, central lock by Emka (3 points locking-Espagnolette: optional)</li> <li>● 1,2mm steel is standard; 1,5mm steel is optional</li> <li>● 180° + opening angle</li> <li>● Reversible (Left or Right)</li> <li>● Easy-to-remove spring loaded hinge design-standard (two-point hinges by Emka: optional)</li> </ul>
D 2	Plain / Solid Door	<ul style="list-style-type: none"> <li>● Single-point lock with swing-handle, central lock by Emka (3 points locking-Espagnolette: optional)</li> <li>● 1,2mm steel is standard; 1,5mm steel is optional</li> <li>● 180° + opening angle</li> <li>● Reversible (Left or Right)</li> <li>● Easy-to-remove spring loaded hinge design(two-point hinges by Emka: optional)</li> </ul>
D 3	Fully Perforated Door Supported by Metal Brackets	<ul style="list-style-type: none"> <li>● Honeycomb perforated pattern providing 53% air exchange</li> <li>● Multi-point lock with swing-handle by Emka</li> <li>● 1,2mm steel is standard; 1,5mm steel is optional</li> <li>● 180° + opening angle</li> <li>● Reversible (Left or Right)</li> <li>● Easy-to-remove spring loaded hinge design(two-point hinges by Emka: optional)</li> </ul>
D 4	Glass Mounted Door Supported by Metal Brackets	<ul style="list-style-type: none"> <li>● Glass bolted on to steel frame via internal metal bracket/used for mounting</li> <li>● Single-point lock with swing-handle, central lock by Emka (3 points locking-Espagnolette: optional)</li> <li>● 1,2mm steel is standard; 1,5mm steel is optional</li> <li>● 180° + opening angle</li> <li>● Reversible (Left or Right)</li> <li>● Easy-to-remove spring loaded hinge design(two-point hinges by Emka: optional)</li> </ul>
D 5	Ventilated and Glass Mounted Door	<ul style="list-style-type: none"> <li>● Ventilated glass provides extra air circulation</li> <li>● Single-point lock with swing-handle, central lock by Emka (3 points locking-Espagnolette: optional)</li> <li>● 1,2mm steel is standard; 1,5mm steel is optional</li> <li>● 180° + opening angle</li> <li>● Reversible (Left or Right)</li> <li>● Easy-to-remove spring loaded hinge design(two-point hinges by Emka: optional)</li> </ul>



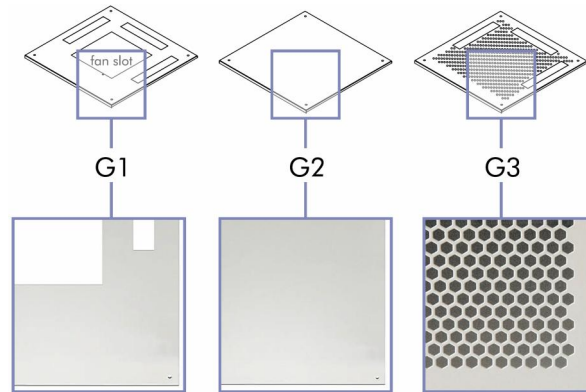
## F: Rear Door/Panel

F 0	No Rear Door	
F 1	Plain / Solid Panel (Standard)	<ul style="list-style-type: none"> <li>● Single-point central lock by Emka</li> <li>● 1,5mm steel</li> <li>● Easy-to-remove spring loaded design</li> </ul>
F 2	Safety Glass Mounted Door on 2 Vertical Members	<ul style="list-style-type: none"> <li>● Single-point lock with swing-handle, central lock by Emka (3 points locking-Espagnolette: optional)</li> <li>● 1,2mm steel is standard; 1,5mm steel is optional</li> <li>● 180° + opening angle</li> <li>● Reversible (Left or Right)</li> <li>● Easy-to-remove spring loaded hinge design-standard (two-point hinges by Emka: optional)</li> </ul>
F 3	Plain Door	<ul style="list-style-type: none"> <li>● 1,2mm steel is standard; 1,5mm steel is optional</li> <li>● 180° + opening angle</li> <li>● Easy-to-remove spring loaded hinge design (two-point hinges by Emka: optional)</li> <li>● PUR Gasket: optional</li> </ul>
F 4	Fully Perforated Door Supported by Metal Brackets	<ul style="list-style-type: none"> <li>● Honeycomb perforated pattern providing 53% air exchange</li> <li>● Multi point lock with swing-handle</li> <li>● 1,2mm steel is standard; 1,5mm steel is optional</li> <li>● 180° + opening angle</li> <li>● Reversible (Left or Right)</li> <li>● Easy-to-remove spring loaded hinge design (two-point hinges by Emka: optional)</li> </ul>
F 5	Glass Mounted Door Supported by Steel Brackets	<ul style="list-style-type: none"> <li>● Glass bolted on to steel frame via internal metal bracket used for mounting</li> <li>● Single-point lock with swing-handle, central lock by Emka (3 points locking-Espagnolette: optional)</li> <li>● 1,2mm steel is standard; 1,5mm steel is optional</li> <li>● 180° + opening angle</li> <li>● Reversible (Left or Right)</li> <li>● Easy-to-remove spring loaded hinge design (two-point hinges by Emka: optional)</li> </ul>
F 6	Plain Door / Panel With Fixed Cable Access Opening	<ul style="list-style-type: none"> <li>● Removable panel on bottom section provides easy and safe cable access through protection brushe</li> <li>● 1,2mm steel is standard; 1,5mm steel is optional</li> <li>● 180° + opening angle</li> <li>● Reversible (Left or Right)</li> <li>● Easy-to-remove spring loaded design</li> </ul>
F 7	Ventilated and Glass Mounted Door	<ul style="list-style-type: none"> <li>● Ventilated glass provides extra air circulation</li> <li>● Single-point lock with swing-handle, central lock by Emka (3 points locking-Espagnolette: optional)</li> <li>● 1,2mm steel is standard; 1,5mm steel is optional</li> <li>● 180° + opening angle</li> <li>● Reversible (Left or Right)</li> <li>● Easy-to-remove spring loaded hinge design (two-point hinges by Emka: optional)</li> </ul>



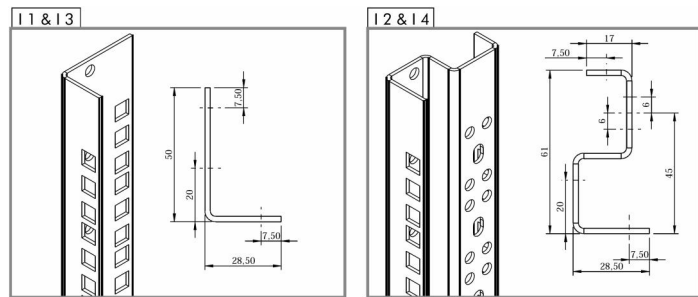
## G: Internal Top Sheet

<input type="radio"/>	G 0	No Internal Top Sheet	
<input type="radio"/>	G 1	3 Cable Access and Fan Openings (Standard)	<ul style="list-style-type: none"> <li>• Easy-to-remove openings for cable access from two sides and rear (brush sold seperately)</li> <li>• Easy-to-remove fan opening: for standard foot-print fan assemblies (2-10 fans)</li> </ul>
<input type="radio"/>	G 2	Plain / Solid	
<input type="radio"/>	G 3	Fully Perforated	<ul style="list-style-type: none"> <li>• Honeycomb perforated pattern providing 53% air exchange</li> <li>• 1mm steel</li> </ul>



## I: 19" Mounting Rails

<input type="radio"/>	I 0	No 19" Mounting Rails
<input type="radio"/>	I 1	Pair of Type 1 (Standard)
<input type="radio"/>	I 2	Pair of Type 2
<input type="radio"/>	I 3	2 Pair of Type 1
<input type="radio"/>	I 4	2 Pair of Type 2

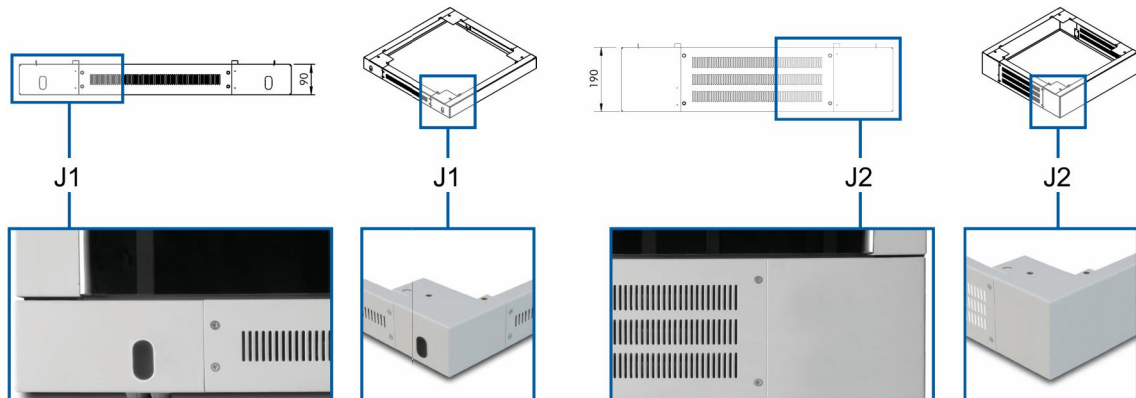


Type 1 - Suitable for standart applications.

Type 2 - Suitable for complex cabling and heavy equipment assembly applications

## J: Plinth

<input type="radio"/>	J 0	No Plinth (Standard)
<input type="radio"/>	J 1	100 mm Ventilated
<input type="radio"/>	J 2	200 mm Ventilated



## Baying - Expansion Option

- Unlimited number of cabinets, side by side
- Lift-off side panels/doors and join cabinets together
- Easy baying; cabinet-to-cabinet cable management
- Easy-2-Bolt adaptors join two racks together



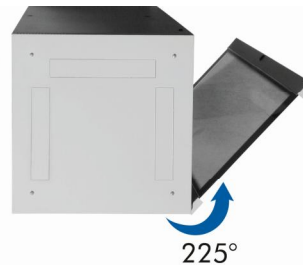
## Chimney Effect

- The design creates a “chimney effect” that supplies currents of cool air to internally mounted equipment by drawing cold air from the floor via louvers and exhausting hot air through the top. Optional 6 inch fans can be added to further increase airflow and provide increased heat dissipation ventilates cabinets
- Optional side, front and rear doors with honeycomb pattern holes providing 53% Free Area Ratio, FAR



## Maximized Work-around Space

- 225° Opening angle with EMKA hinges
- Easy access into active Operational Clearance Area, OCA



## STATIC LOAD RATING

### Excellent Performance

- Ultimate 10000N static load carrying capacity (please ask for details)

